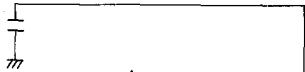


C1101
SD1A,SD2AM ONLY:
VCC0019
SD1BA/EA,SD2BA,
SD3EE ONLY:
VCC0021



P1101
VJS2625

F1101
XBA2C16T80

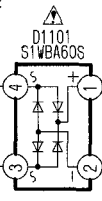
D1116
ENB461D05A

R1101
ERC12AGM334C
SD1BA/EA,SD2BA,
SD3EE ONLY

C1107
ECQU2A154MNB
SD1BA/EA,SD2BA,
SD3EE ONLY

L1107
SD1A,SD2AM ONLY:
VLF1068
SD1BA/EA,SD2BA,
SD3EE ONLY:
ELF18D221F

C1108
SD1A,SD2AM ONLY:
ECQU2A333MNB
SD1BA/EA,SD2BA,
SD3EE ONLY:
ECQU2A683MNB



C1109
ECEC2G6680B

R1121
220K

R1107
ERG3S.J663H

C1115
ECQ6G470KF

R1102
220K

C1116
VCK0T06K121T

D1104
AP01CV2

C1117
ECA1VXLV470B



C1114
VCC0022

C1106
SD1A,SD2AM ONLY:
VCC0019
SD1BA/EA,SD2BA,
SD3EE ONLY:
VCC0021

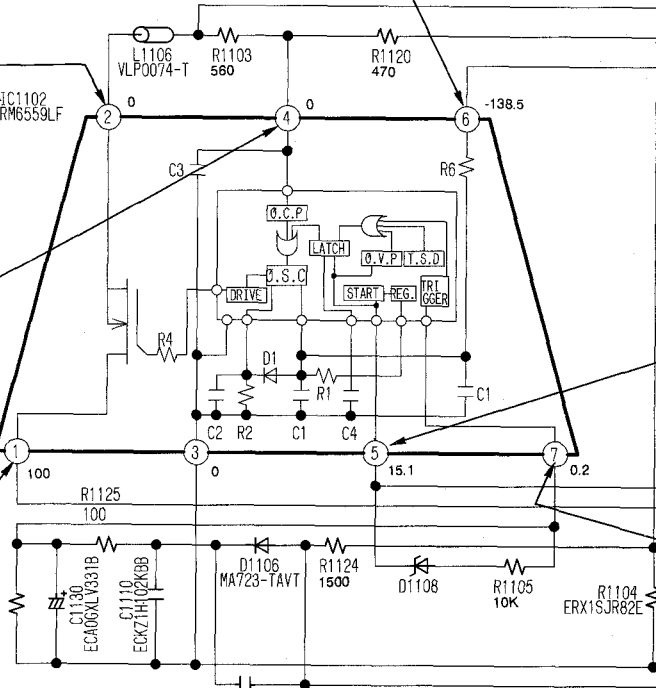
IC1102
STRM6559LF

IC1102-2
10Vp-p(5usec. div)

IC1102-4
0.55Vp-p(5usec. div)

IC1102-1
170Vp-p(5usec. div)

IC1102-6
1.0Vp-p(5usec. div)



R1122
ERDS1VJ395T

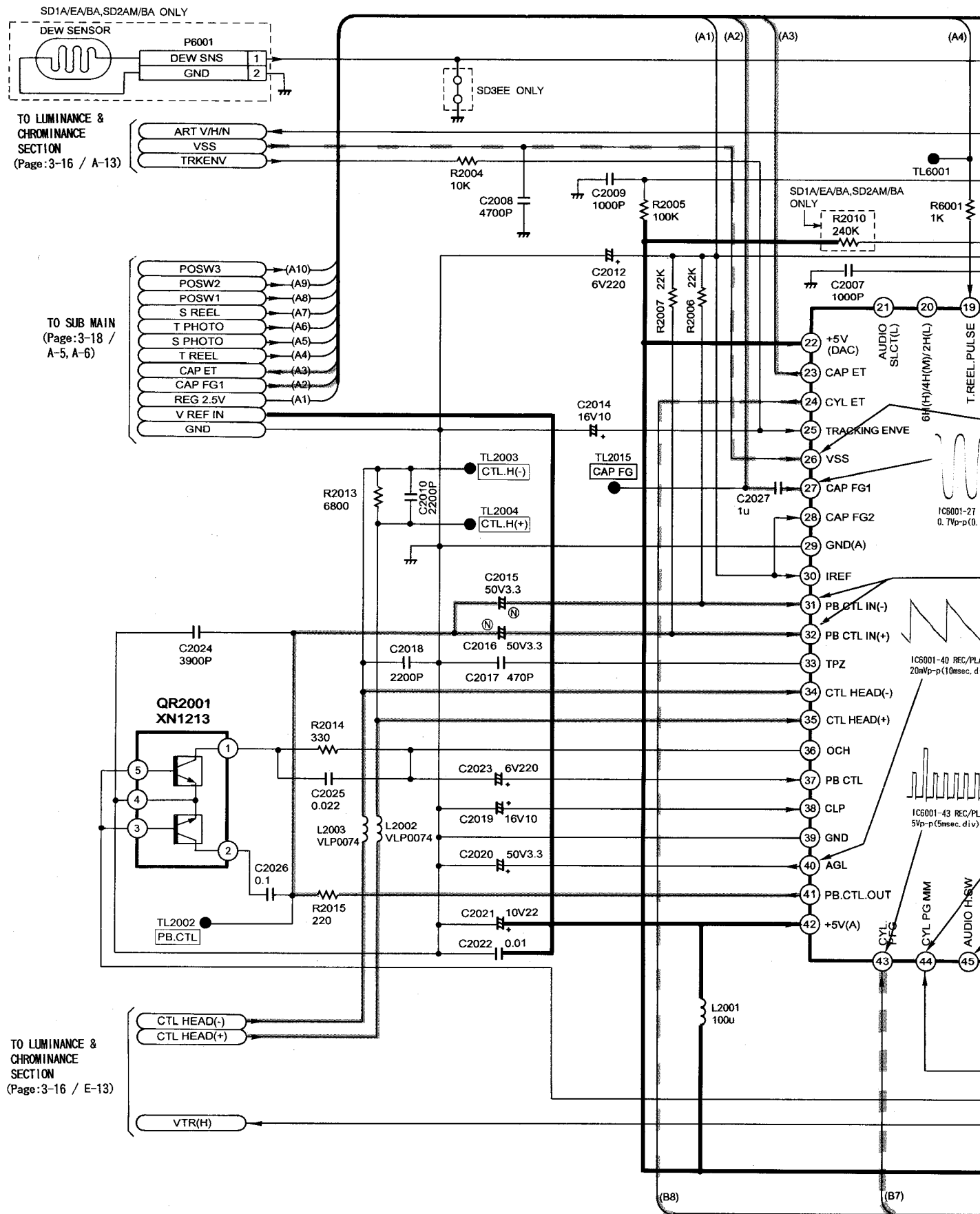
R1123
ERDS1VJ475T

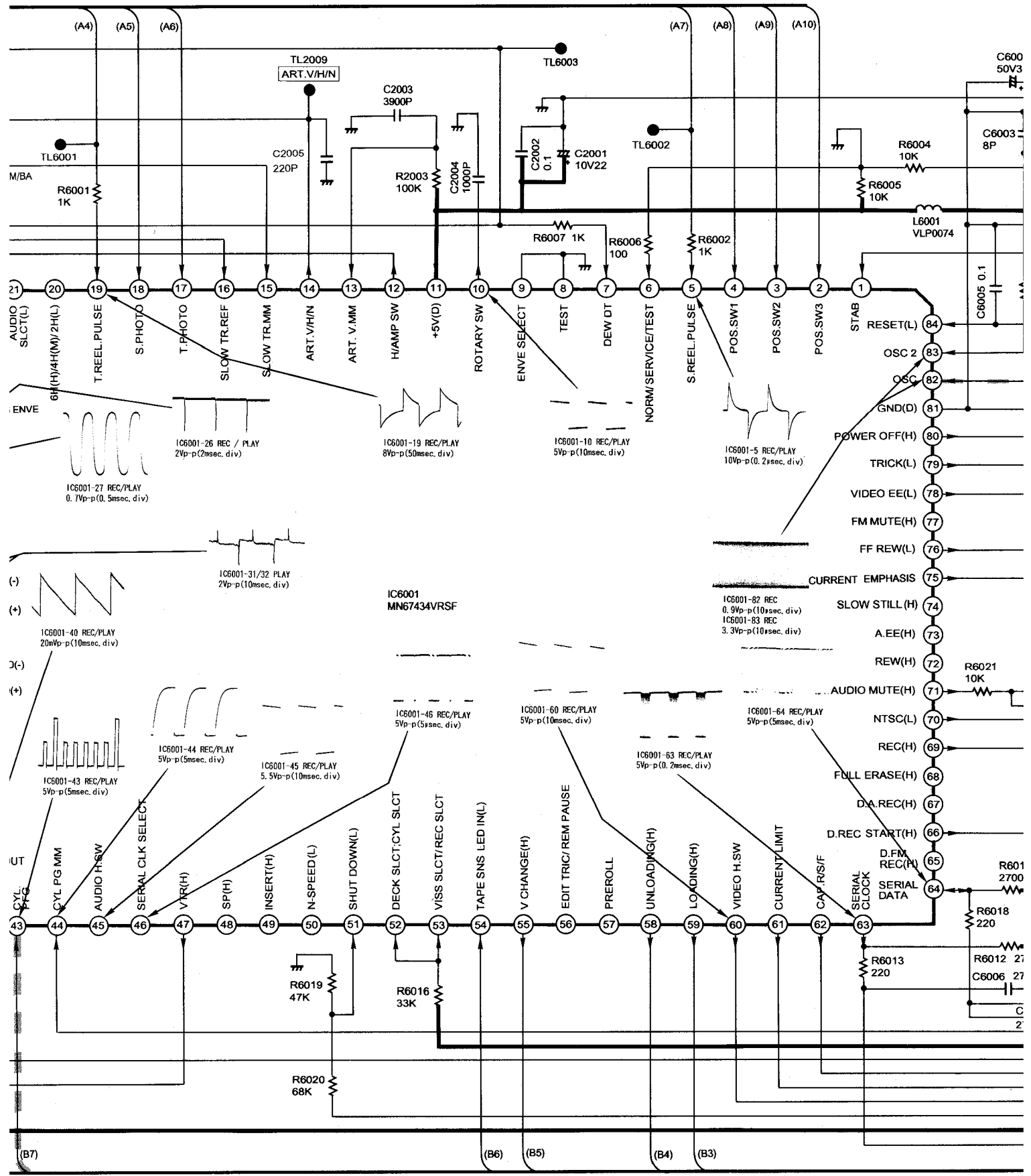
IC1102-5
0.45Vp-p(5usec. div)

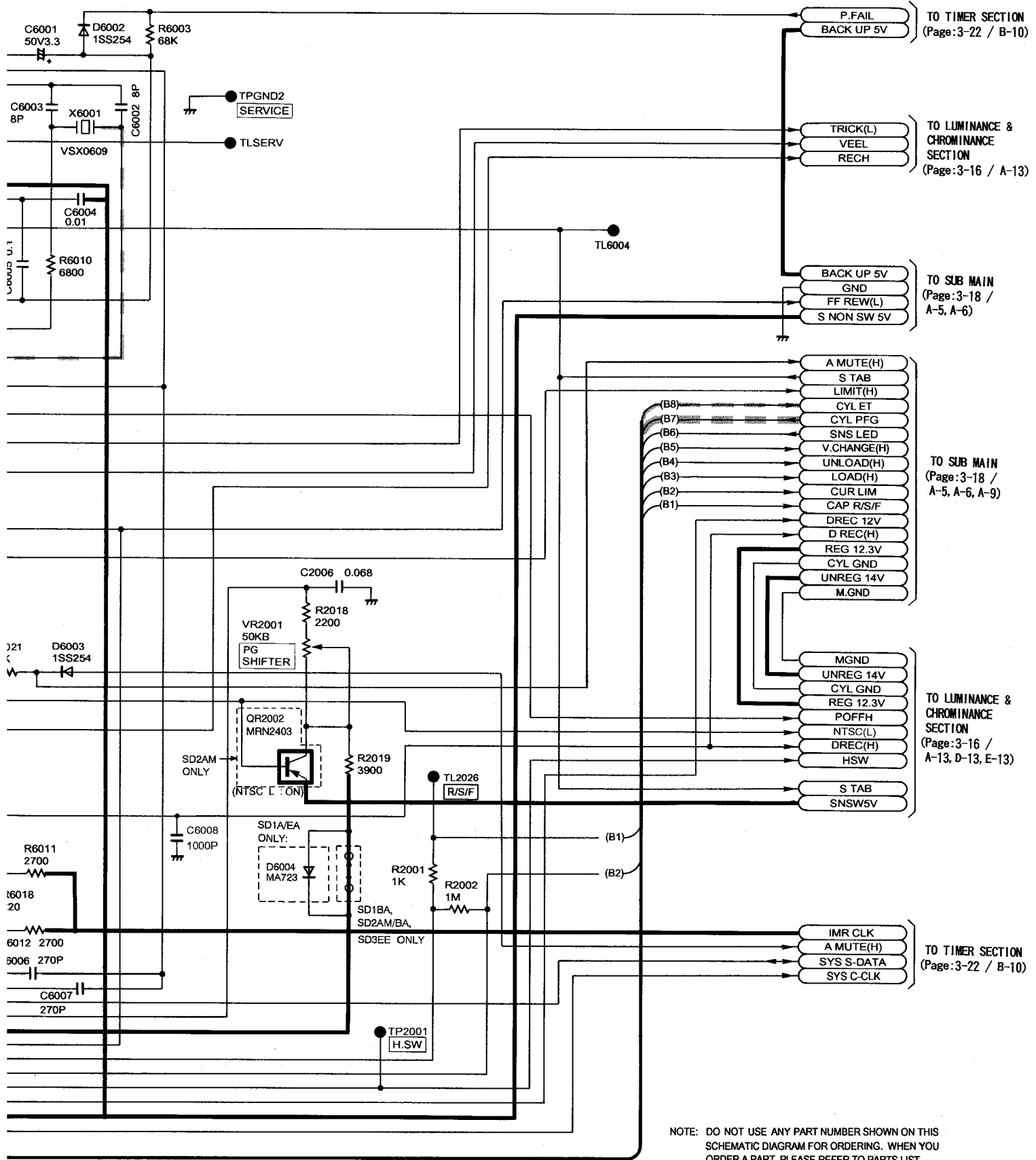
IC1102
0.25Vp-p(5usec. div)

C1111
ECKZ1H271KBB

SYSTEM CONTROL & SERVO SECTION IN MAIN SCHEMATIC DIAGRAM







TO TIMER SECTION
(Page:3-22 / B-10)

TO LUMINANCE & CHROMINANCE SECTION
(Page:3-16 / A-13)

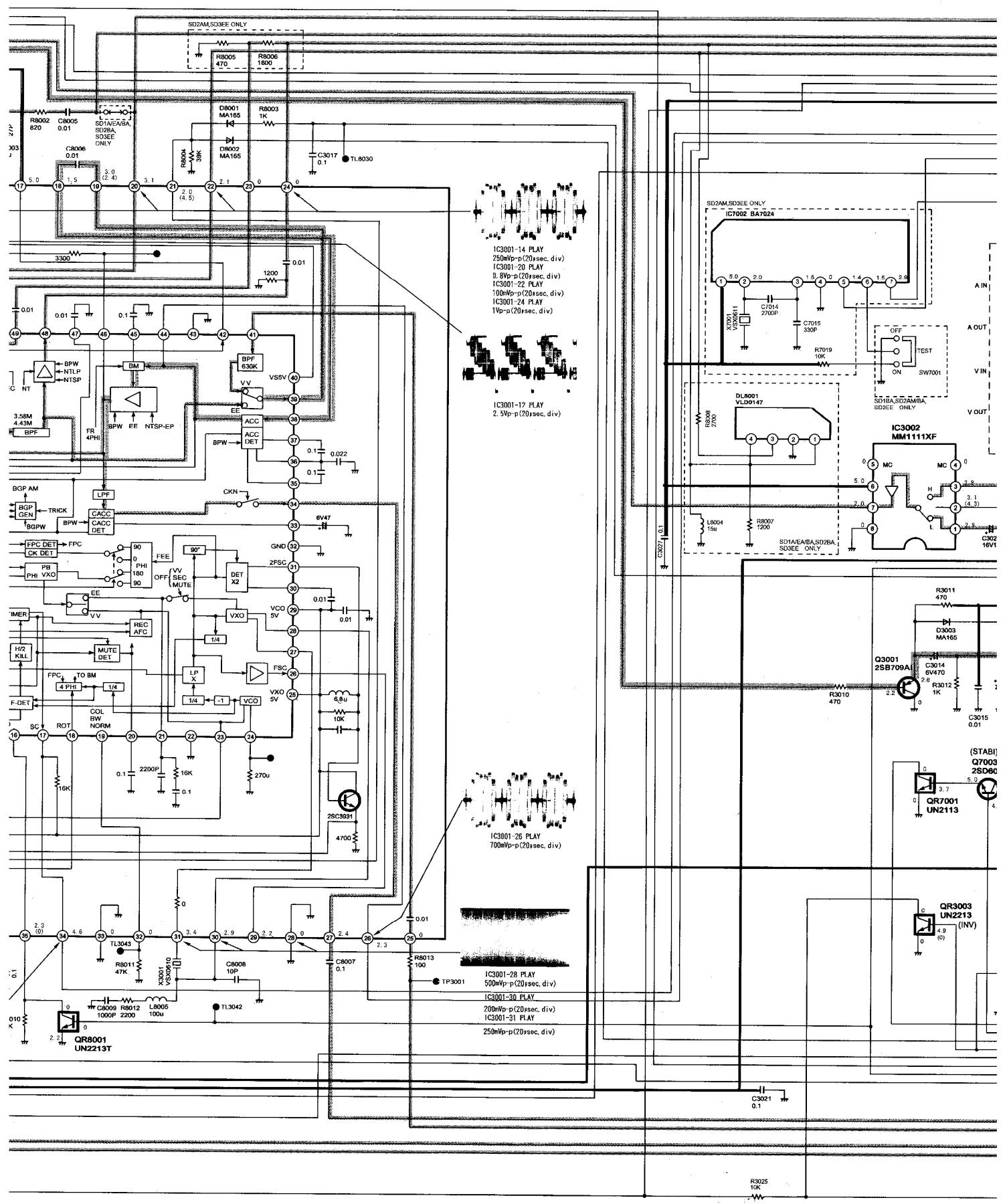
TO SUB MAIN
(Page:3-18 / A-5, A-6)

TO SUB MAIN
(Page:3-18 / A-5, A-6, A-9)

TO LUMINANCE & CHROMINANCE SECTION
(Page:3-16 / A-13, D-13, E-13)

TO TIMER SECTION
(Page:3-22 / B-10)

NOTE: DO NOT USE ANY PART NUMBER SHOWN ON THIS SCHEMATIC DIAGRAM FOR ORDERING. WHEN YOU ORDER A PART, PLEASE REFER TO PARTS LIST.



SD2AM,SD3EE ONLY

R8005 470
R8006 1800
R8003 1K

D8001 MA165
D8002 MA165

C8005 0.01
C8006 0.01
C3017 0.1

TL8030

3300
1200

0.01

0.01
0.1

0.01
0.1

0.1
0.022

0.1
0.1

0.1
0.022

0.1
0.022

0.1
0.022

0.1
0.022

0.1
0.022

0.1
0.022

0.1
0.022

0.1
0.022

0.1
0.022

0.1
0.022

0.1
0.022

0.1
0.022

0.1
0.022

0.1
0.022

0.1
0.022

0.1
0.022

0.1
0.022

0.1
0.022

0.1
0.022

0.1
0.022

0.1
0.022

0.1
0.022



IC3001-14 PLAY
250mVp-p(20sec. div)
IC3001-20 PLAY
0.8Vp-p(20sec. div)
IC3001-22 PLAY
100mVp-p(20sec. div)
IC3001-24 PLAY
1Vp-p(20sec. div)



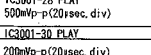
IC3001-17 PLAY
2.5Vp-p(20sec. div)



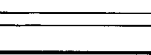
IC3001-26 PLAY
700mVp-p(20sec. div)



IC3001-28 PLAY
500mVp-p(20sec. div)



IC3001-30 PLAY
200mVp-p(20sec. div)



IC3001-31 PLAY
250mVp-p(20sec. div)

SD2AM,SD3EE ONLY

IC7002 BA7024

C7014 2700P
C7015 330P
R7019 10K

SW7001

OFF
TEST
ON

SD1BA,SD2AM,BA,SD3EE ONLY

DL8001 VLD0147

L8004 15u
R8007 1200

SD1BA,SD2AM,BA,SD3EE ONLY

IC3002 MM111XF

MC
MC

5.0
2.0

0
1
2
3
4
5
6
7
8

0
1
2
3
4
5
6
7
8

0
1
2
3
4
5
6
7
8

0
1
2
3
4
5
6
7
8

0
1
2
3
4
5
6
7
8

0
1
2
3
4
5
6
7
8

0
1
2
3
4
5
6
7
8

0
1
2
3
4
5
6
7
8

0
1
2
3
4
5
6
7
8

0
1
2
3
4
5
6
7
8

0
1
2
3
4
5
6
7
8

0
1
2
3
4
5
6
7
8

0
1
2
3
4
5
6
7
8

0
1
2
3
4
5
6
7
8

0
1
2
3
4
5
6
7
8

0
1
2
3
4
5
6
7
8

0
1
2
3
4
5
6
7
8

R3011 470
D3003 MA165

Q3001 2SB709A
C3014 6V470
R3012 1K
C3015 0.01

0
1
2
3
4
5
6
7
8

0
1
2
3
4
5
6
7
8

0
1
2
3
4
5
6
7
8

0
1
2
3
4
5
6
7
8

0
1
2
3
4
5
6
7
8

0
1
2
3
4
5
6
7
8

0
1
2
3
4
5
6
7
8

0
1
2
3
4
5
6
7
8

0
1
2
3
4
5
6
7
8

0
1
2
3
4
5
6
7
8

0
1
2
3
4
5
6
7
8

(STAB)

Q7003 2SD60

QR7001 UN2113

3.7
5.0

0
1
2
3
4
5
6
7
8

0
1
2
3
4
5
6
7
8

0
1
2
3
4
5
6
7
8

0
1
2
3
4
5
6
7
8

0
1
2
3
4
5
6
7
8

0
1
2
3
4
5
6
7
8

0
1
2
3
4
5
6
7
8

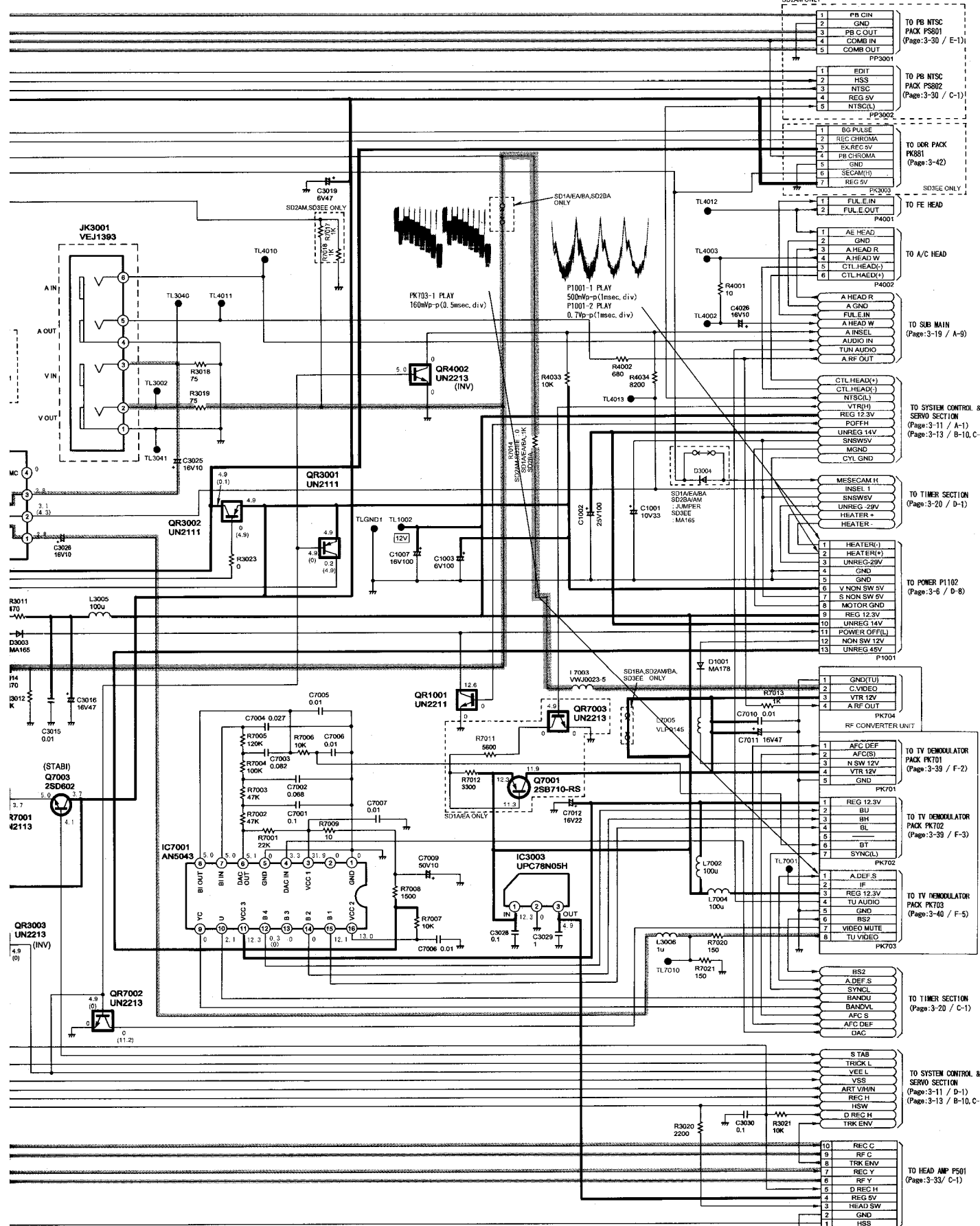
0
1
2
3
4
5
6
7
8

0
1
2
3
4
5
6
7
8

0
1
2
3
4
5
6
7
8

R3025 10K

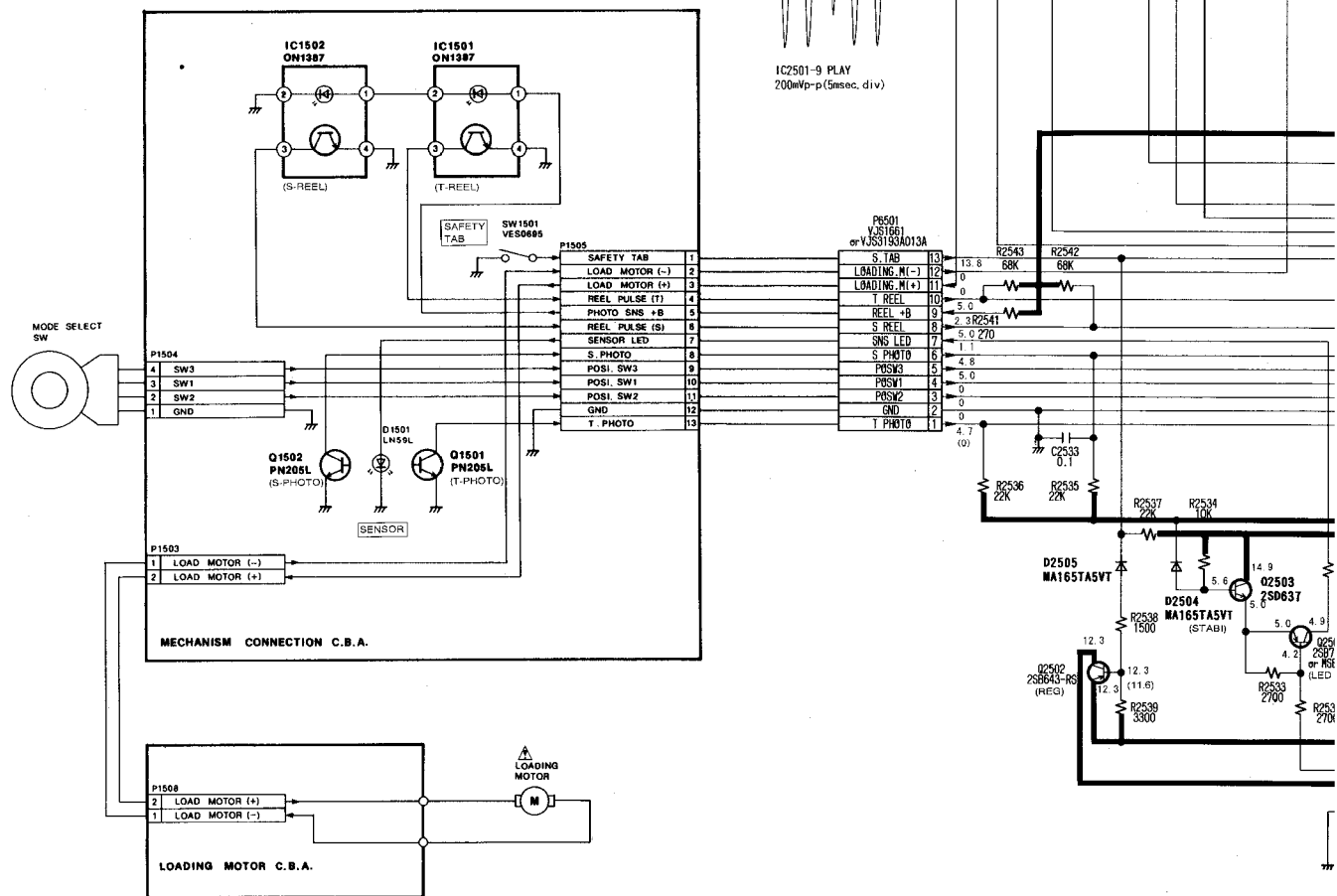
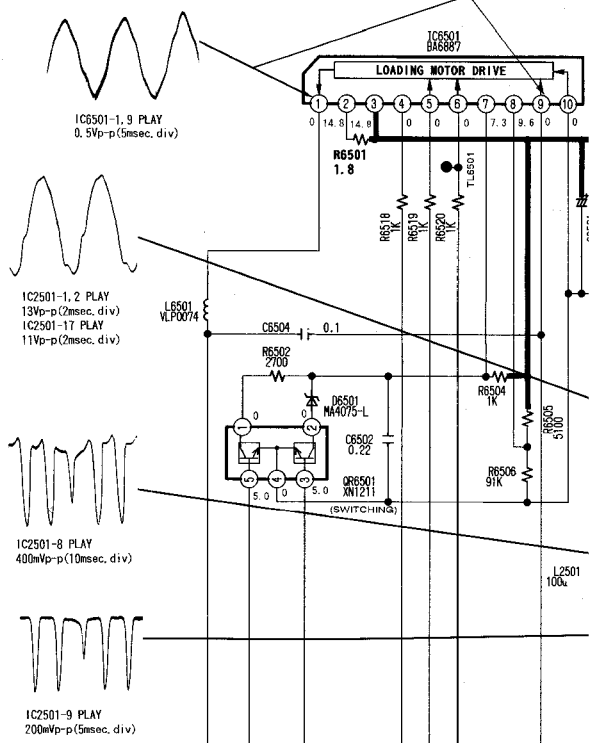
0.1

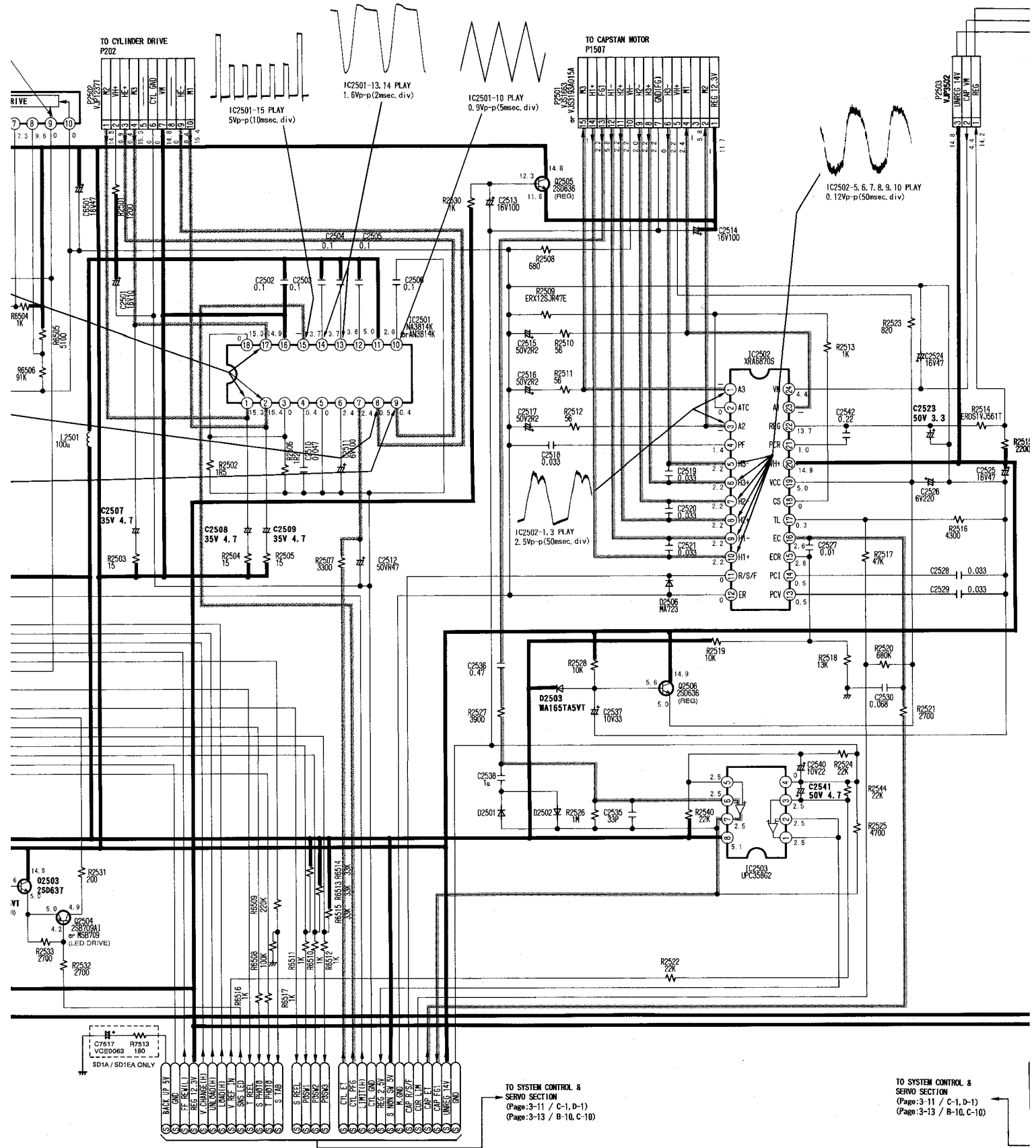


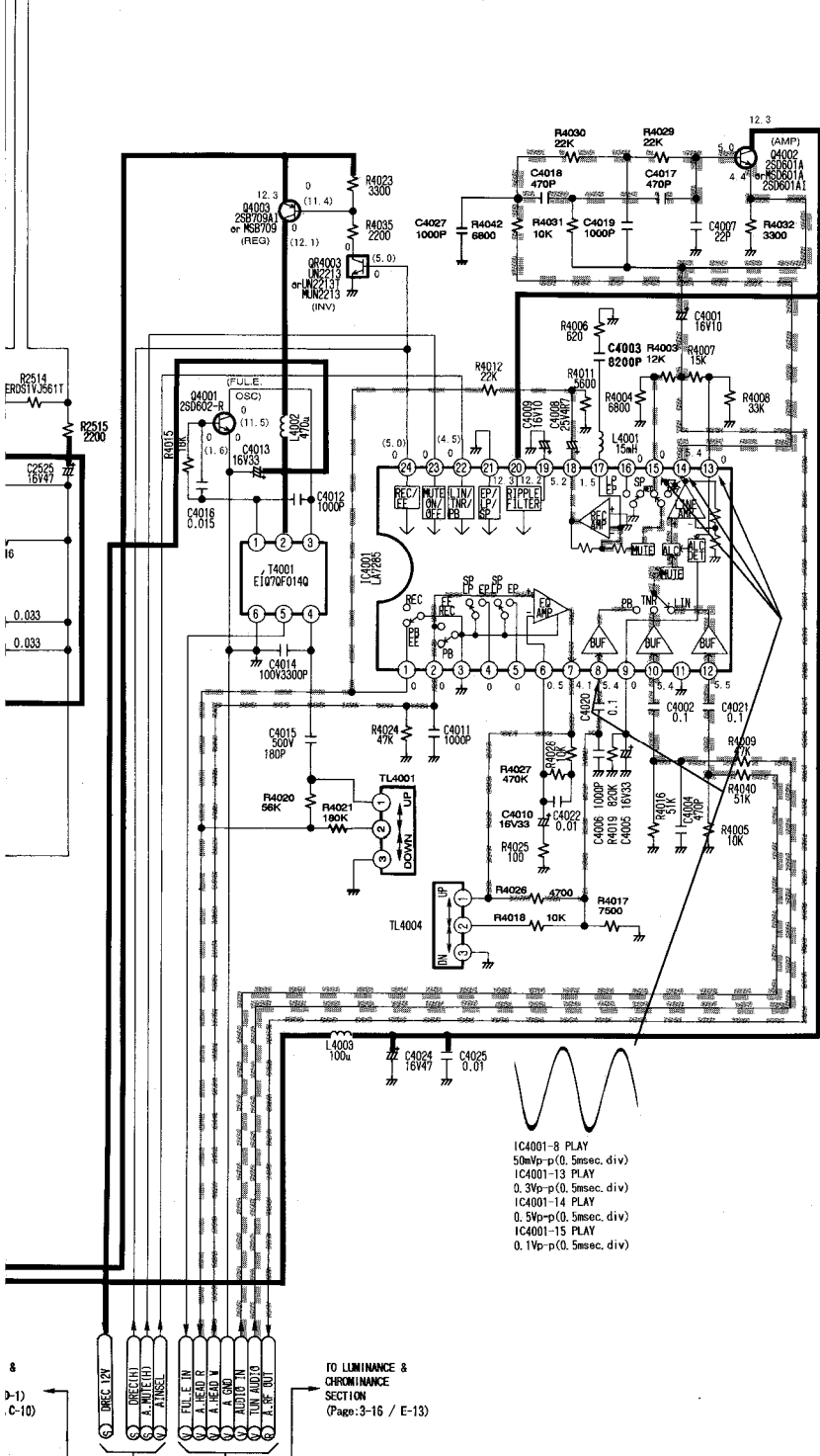
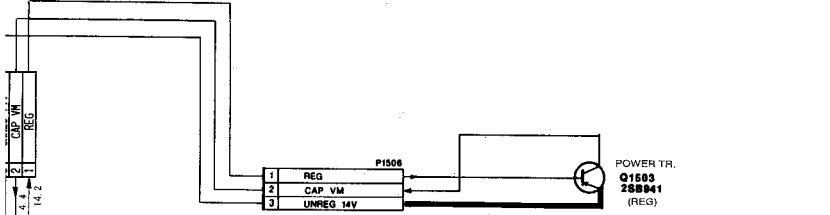
- SD2AM
- | | |
|---|----------|
| 1 | PB CIN |
| 2 | GND |
| 3 | PB C OUT |
| 4 | COMB IN |
| 5 | COMB OUT |
- PP3001
- | | |
|---|---------|
| 1 | EDIT |
| 2 | HSS |
| 3 | NTSC |
| 4 | REG SV |
| 5 | NTSC(L) |
- PP3002
- | | |
|---|------------|
| 1 | BG PULSE |
| 2 | REC CHROMA |
| 3 | EX REC 5V |
| 4 | PB CHROMA |
| 5 | GND |
| 6 | SECAM(I) |
| 7 | REG 5V |
- PK881
- | | |
|---|-----------|
| 1 | FUL.E.IN |
| 2 | FUL.E.OUT |
- SD3EE ONLY
- PK882
- | | |
|---|-------------|
| 1 | AE HEAD |
| 2 | GND |
| 3 | A HEAD R |
| 4 | A HEAD W |
| 5 | CTL HEAD(-) |
| 6 | CTL HEAD(+) |
- P4001
- P4002
- | | |
|---|-----------|
| 1 | A HEAD R |
| 2 | A HEAD W |
| 3 | FUL.E.IN |
| 4 | A HEAD W |
| 5 | A INSEL |
| 6 | AUDIO IN |
| 7 | TUN AUDIO |
| 8 | A RF OUT |
- TO DR PACK
- TO FE HEAD
- TO A/C HEAD
- TO SUB MAIN
- TO SYSTEM CONTROL & SERVO SECTION
- TO TIMER SECTION
- TO POWER P1102
- TO TV DEMODULATOR PACK PK701
- TO TV DEMODULATOR PACK PK702
- TO TV DEMODULATOR PACK PK703
- TO TIMER SECTION
- TO SYSTEM CONTROL & SERVO SECTION
- TO HEAD AMP P501
- | | |
|----|--------------|
| 1 | HEATER(-) |
| 2 | HEATER(+) |
| 3 | UNREG-29V |
| 4 | GND |
| 5 | GND |
| 6 | V NON SW 5V |
| 7 | S NON SW 5V |
| 8 | MOTOR GND |
| 9 | REG 12.3V |
| 10 | UNREG 14V |
| 11 | POWER OFF(L) |
| 12 | NON SW 12V |
| 13 | UNREG 45V |
- P1001
- | | |
|---|---------|
| 1 | GND(TU) |
| 2 | C VIDEO |
| 3 | VTR 12V |
| 4 | VTR 12V |
| 5 | GND |
- PK704
- RF CONVERTER UNIT
- | | |
|---|----------|
| 1 | AFC DEF |
| 2 | AFC(S) |
| 3 | N SW 12V |
| 4 | VTR 12V |
| 5 | GND |
- PK701
- | | |
|---|-----------|
| 1 | REG 12.3V |
| 2 | BUL |
| 3 | BH |
| 4 | BL |
| 5 | BT |
| 6 | SYNCL(L) |
- PK702
- | | |
|---|------------|
| 1 | A DEF S |
| 2 | IF |
| 3 | REG 12.3V |
| 4 | TU AUDIO |
| 5 | GND |
| 6 | RSZ |
| 7 | VIDEO MUTE |
| 8 | TU VIDEO |
- PK703
- | | |
|---|---------|
| 1 | B S2 |
| 2 | A DEF S |
| 3 | SYNCL |
| 4 | BANDU |
| 5 | BANDV |
| 6 | AFC S |
| 7 | AFC DEF |
| 8 | DAC |
- TO TV DEMODULATOR PACK PK701
- TO TV DEMODULATOR PACK PK702
- TO TV DEMODULATOR PACK PK703
- TO TIMER SECTION
- TO SYSTEM CONTROL & SERVO SECTION
- | | |
|----|---------|
| 10 | REC C |
| 9 | RF C |
| 8 | TRK ENV |
| 7 | REC Y |
| 6 | RF Y |
| 5 | D REC H |
| 4 | REG 5V |
| 3 | HEAD SW |
| 2 | GND |
| 1 | HSS |
- P3001

SUB MAIN SCHEMATIC DIAGRAM

CAPSTAN SERVO PHASE LOOP
 CAPSTAN SERVO SPEED LOOP
 AUDIO MAIN SIGNAL PATH IN PLAYBACK MODE
 AUDIO MAIN SIGNAL PATH IN REC MODE





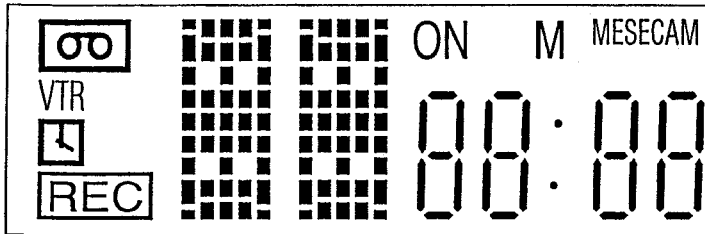


8
D-1
C-10

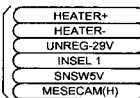
TO LUMINANCE &
CHROMINANCE
SECTION
(Page:3-16 / E-13)

TIMER SECTION IN MAIN & OPERATION SCHEMATIC DIAGRAM

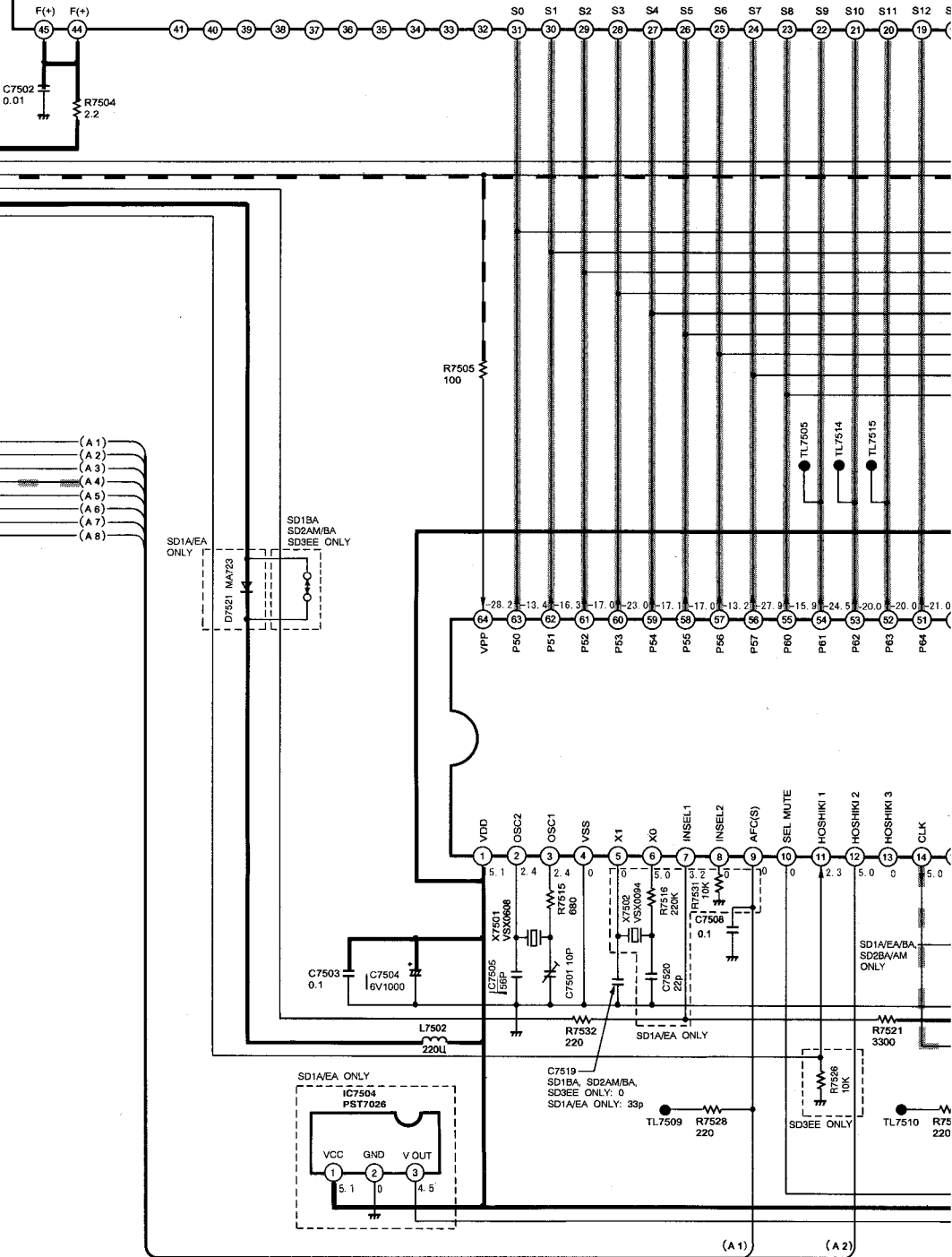
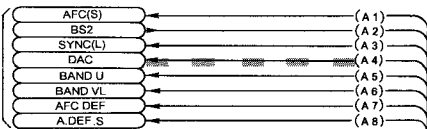
DP7501
VSL0311



TO LUMINANCE &
CHROMINANCE
SECTION
(Page:3-16 / D-13)



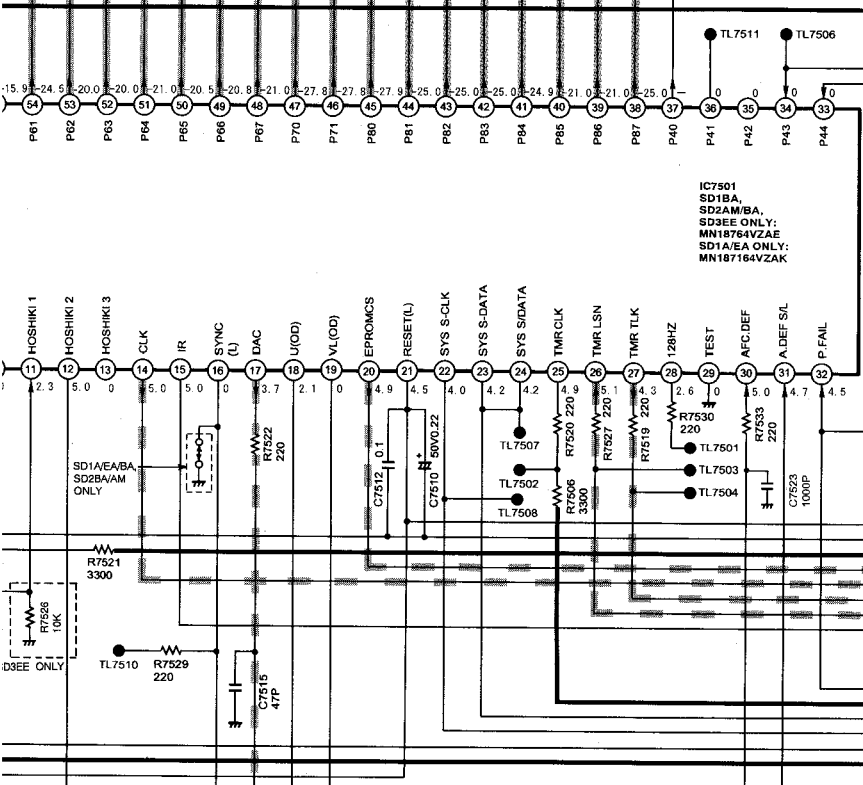
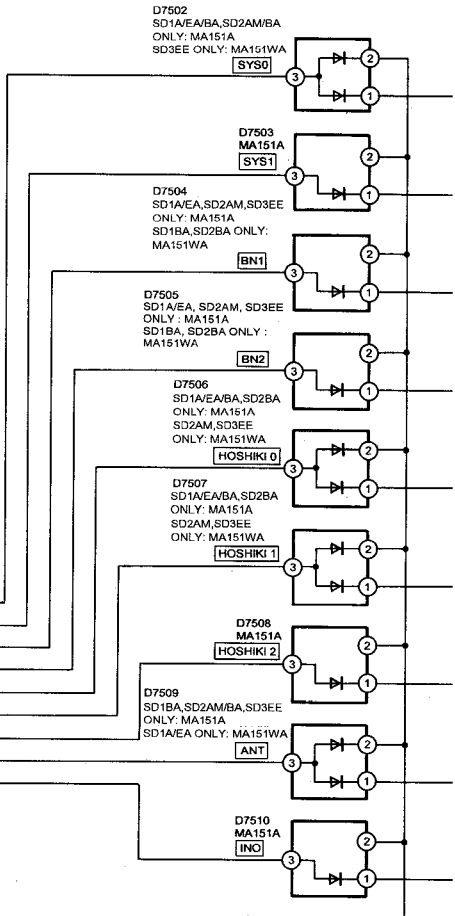
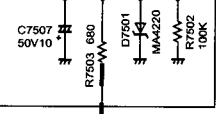
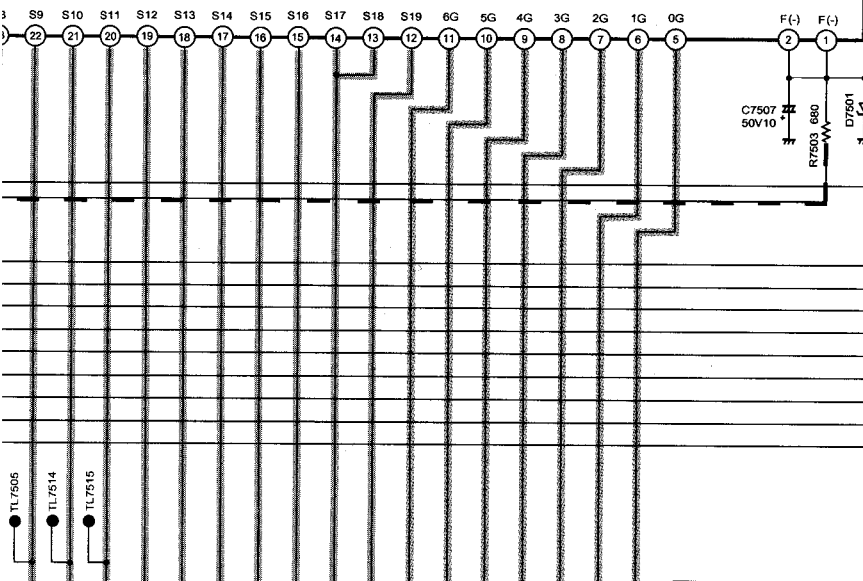
TO LUMINANCE &
CHROMINANCE
SECTION
(Page:3-16 / B-13)



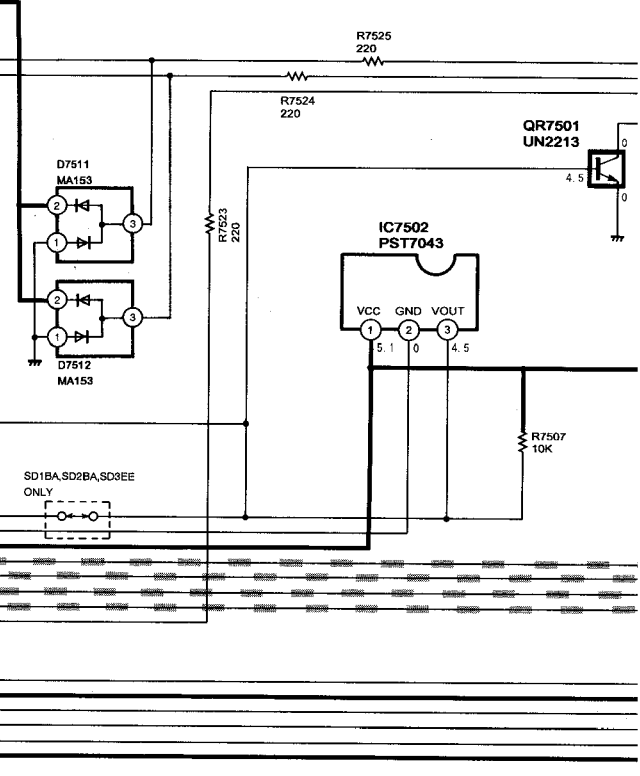
(A1) (A2)

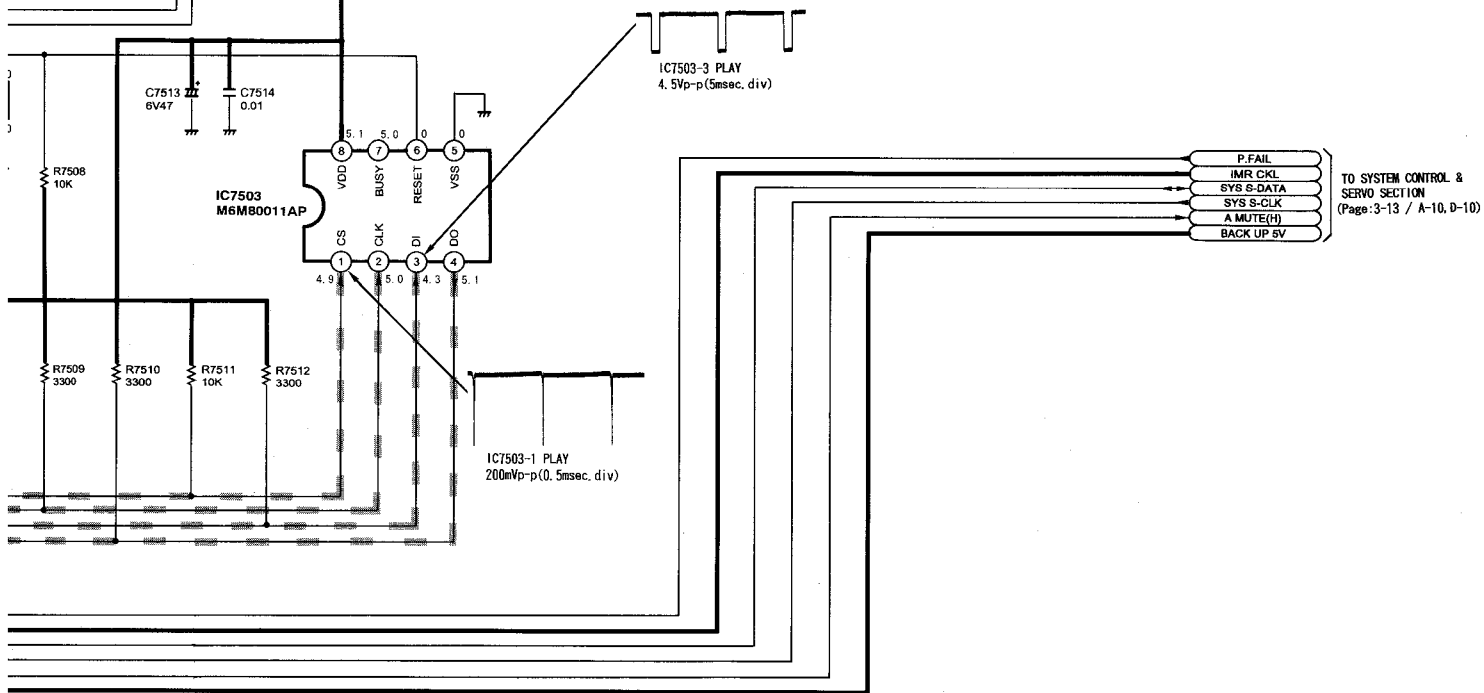
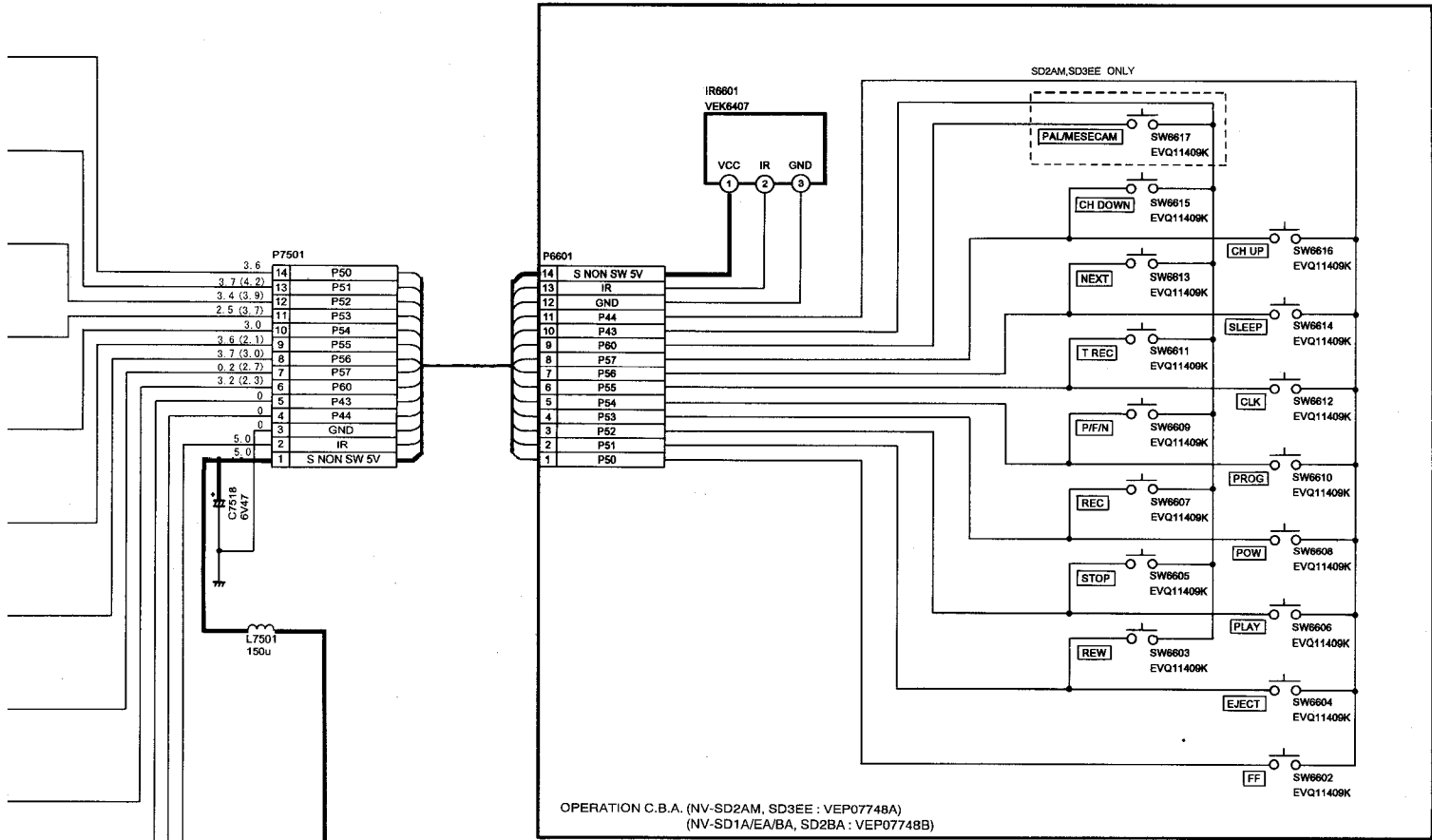
M MESECAM D OFF

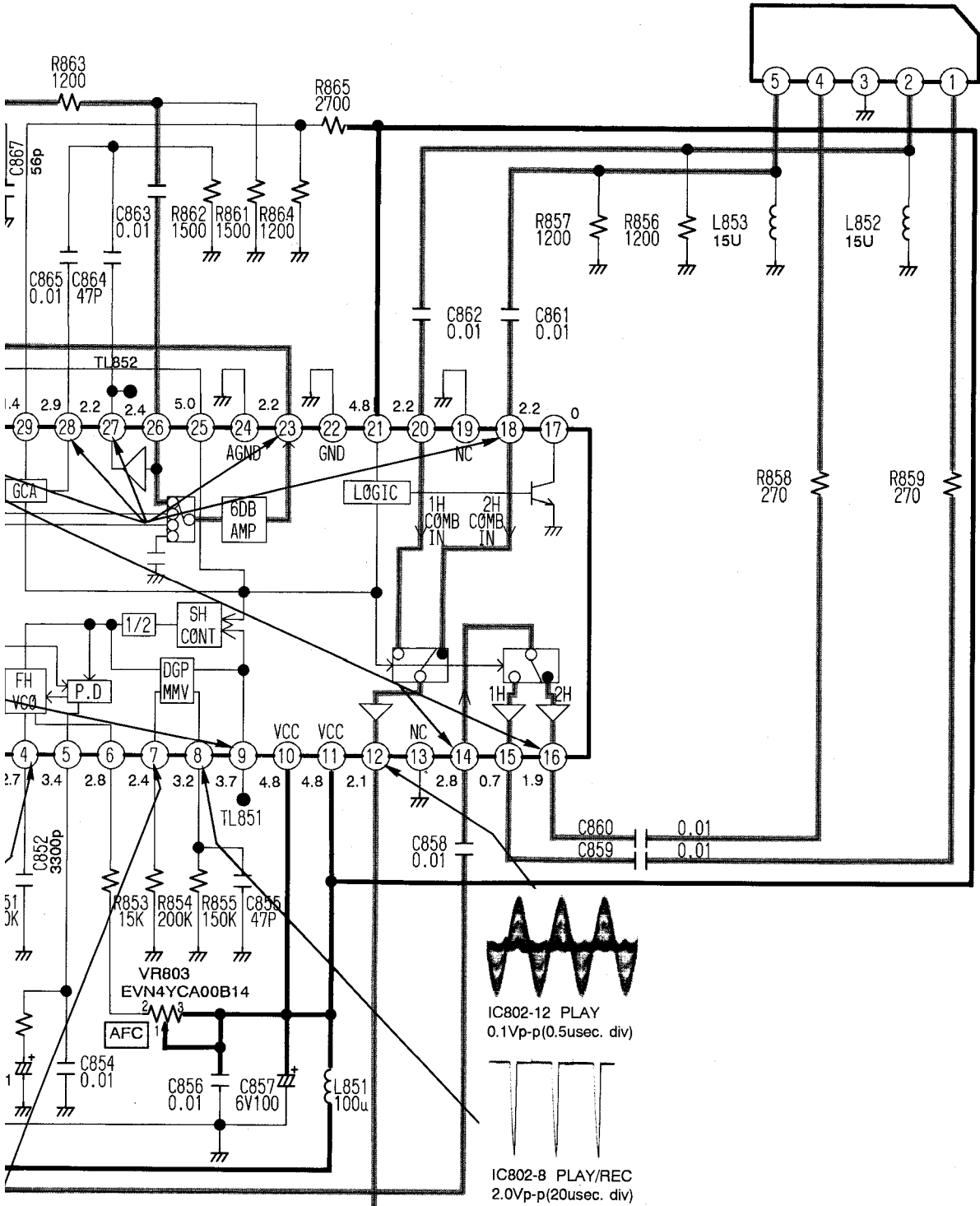
: 00 : 00 : 00



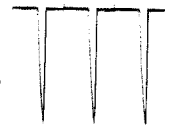
IC7501
 SD1BA,
 SD2AM/BA,
 SD3EE ONLY:
 MN18764VZAE
 SD1A/EA ONLY:
 MN187164VZAK





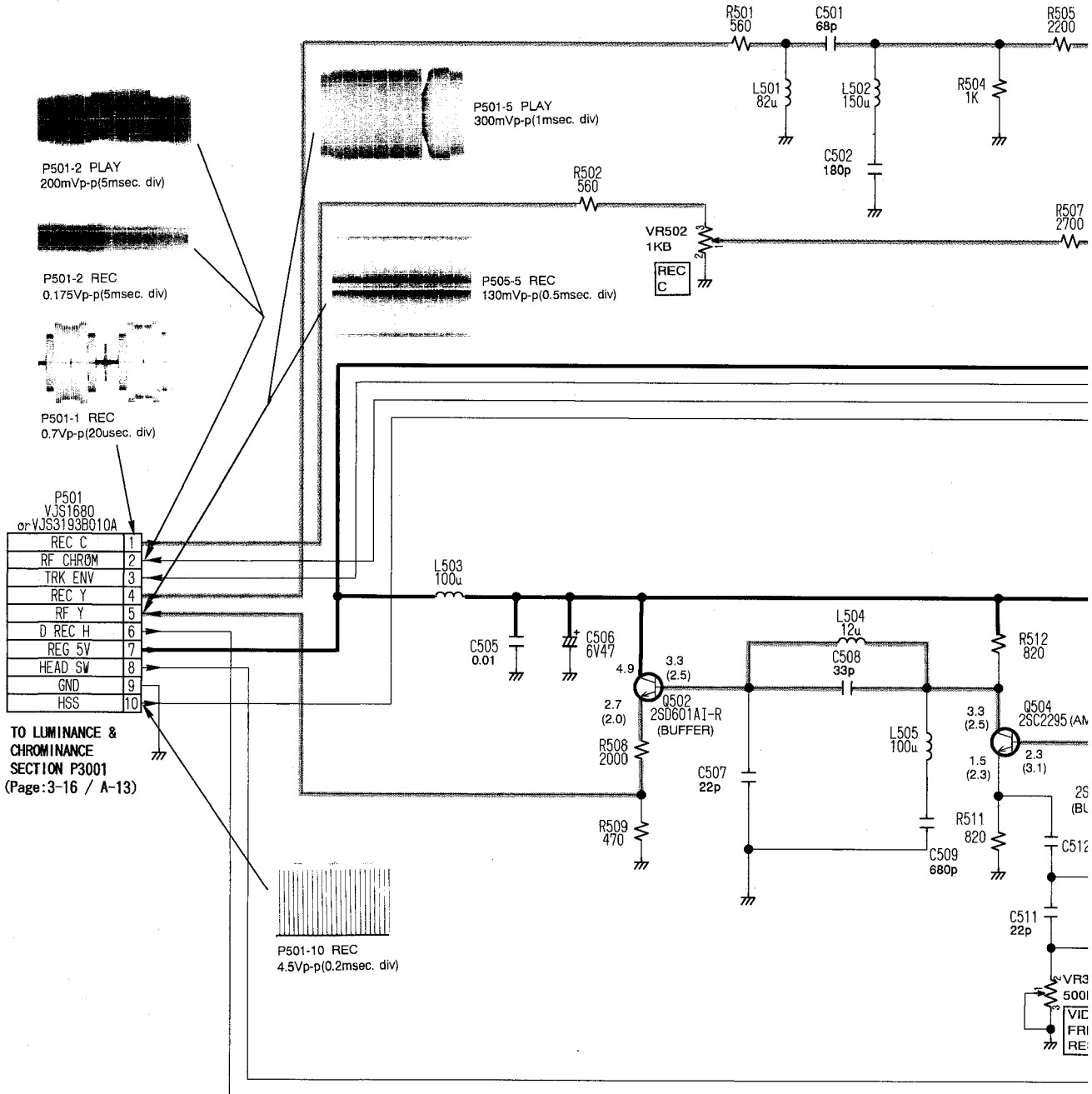


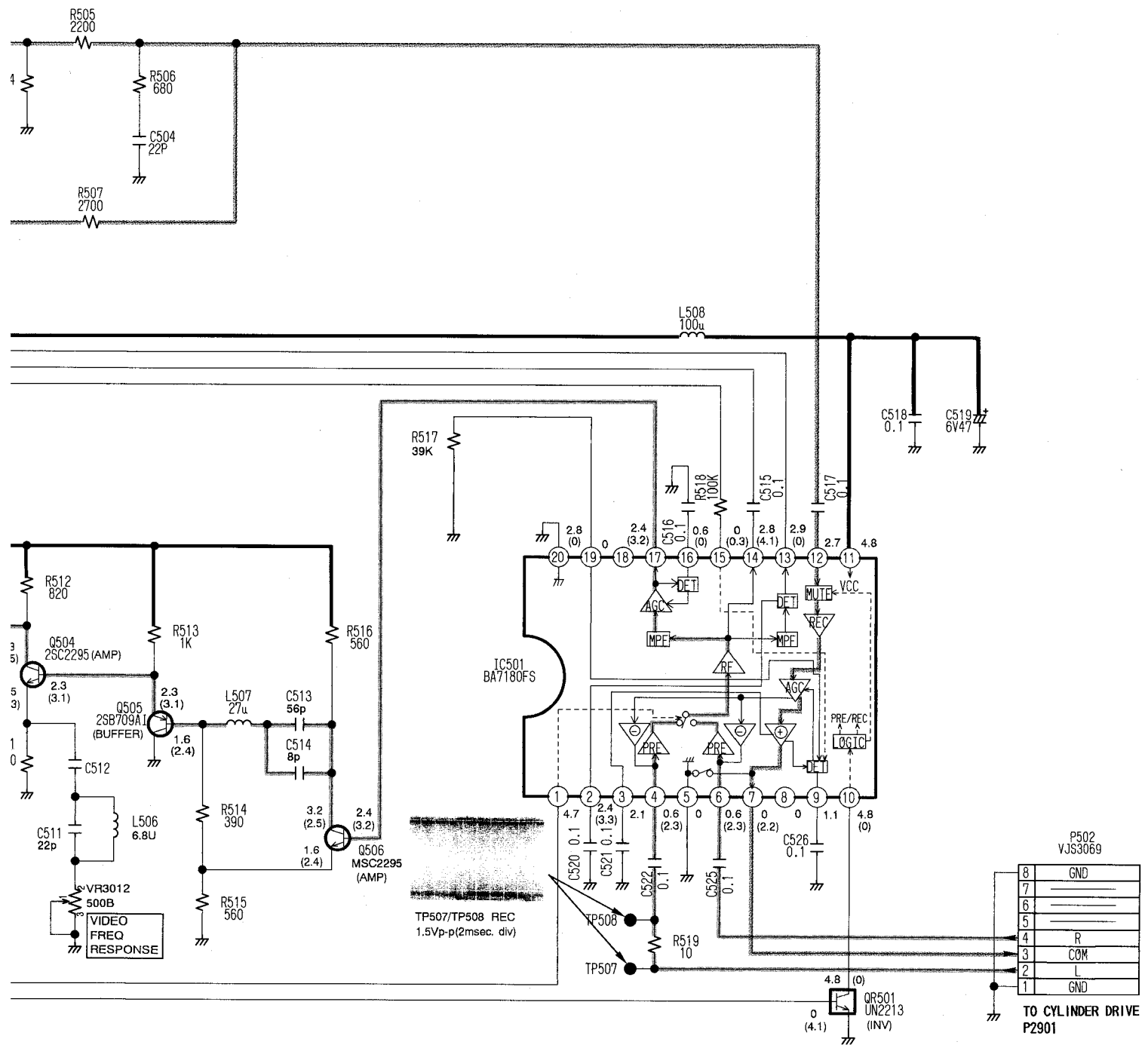
IC802-12 PLAY
0.1Vp-p(0.5usec. div)



IC802-8 PLAY/REC
2.0Vp-p(20usec. div)

HEAD AMP SCHEMATIC DIAGRAM

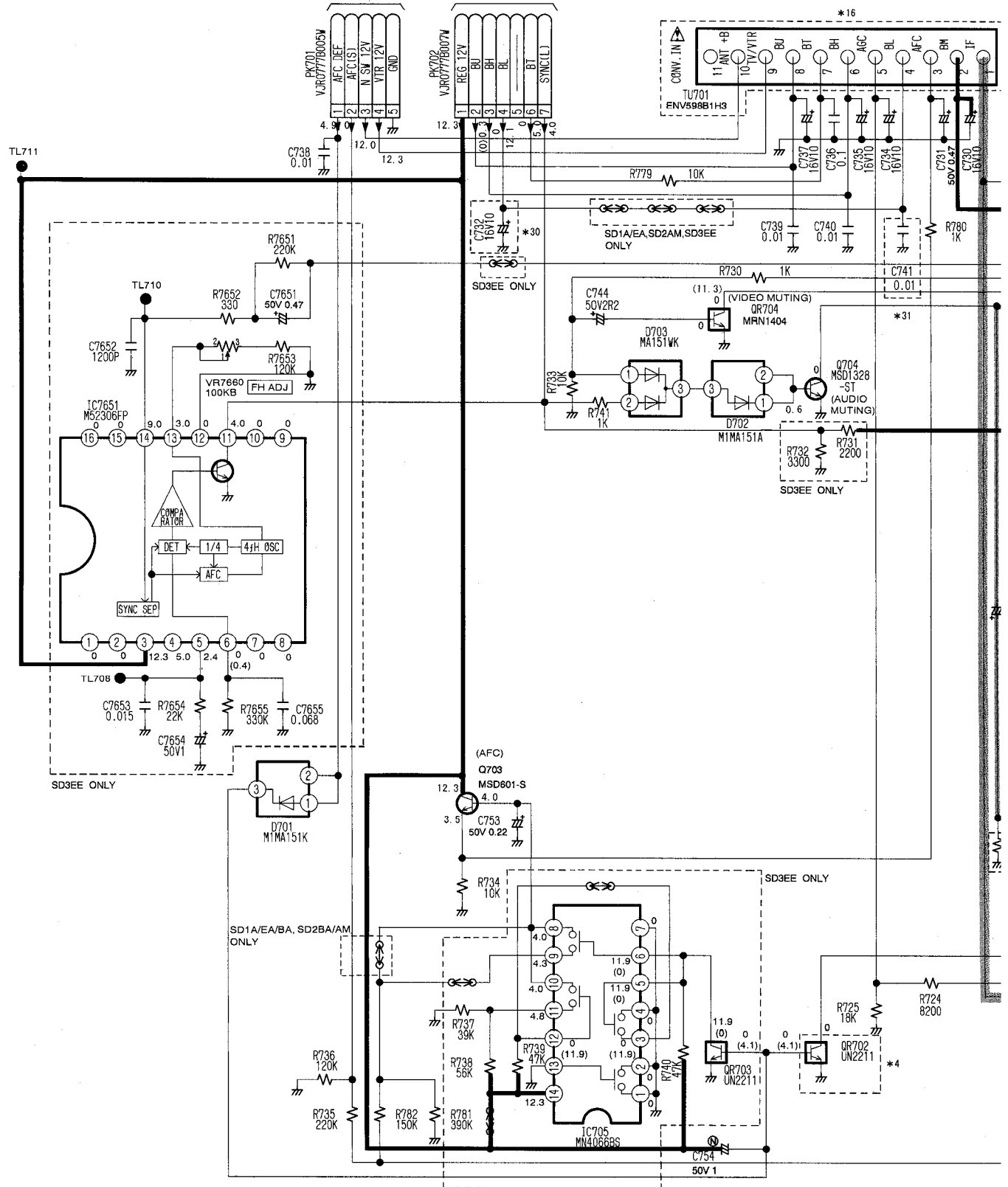




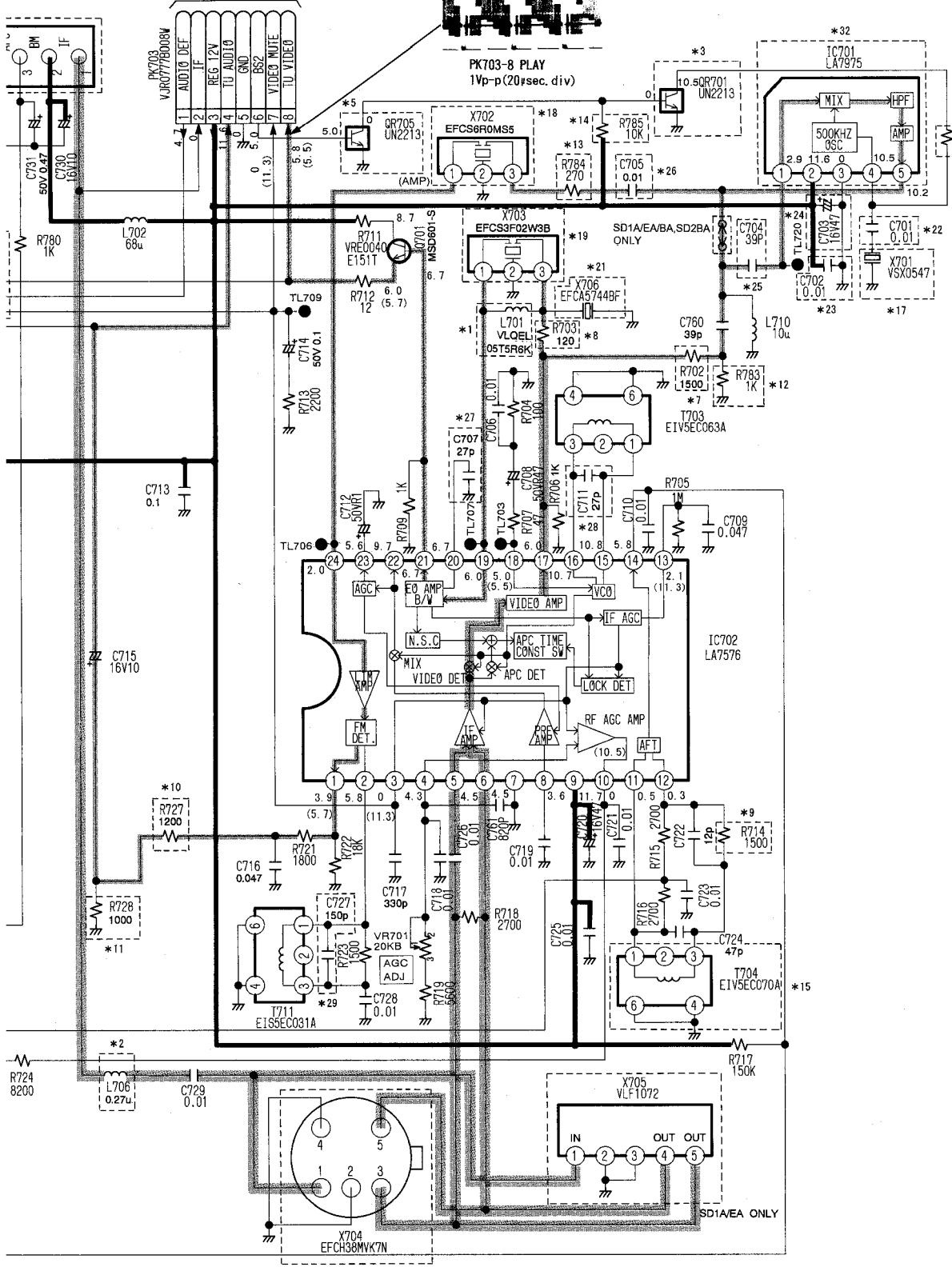
DEMODULATOR PACK CONNECTION DIAGRAM

TO LUMINANCE &
CHROMINANCE
SECTION PK701
(Page:3-16 / C-13)

TO LUMINANCE &
CHROMINANCE
SECTION PK702
(Page:3-16 / C-13)



TO LUMINANCE &
CHROMINANCE
SECTION PK703
(Page:3-16 / B-13)



PK881

1	BG PULSE
2	REC CHROMA
3	E.REC 5V
4	P.B CHROMA
5	GND
6	SECAM (H)
7	REG 5V

TO LUMINANCE & CHROMINANCE SECTION
(Page:3-16/F-13)

